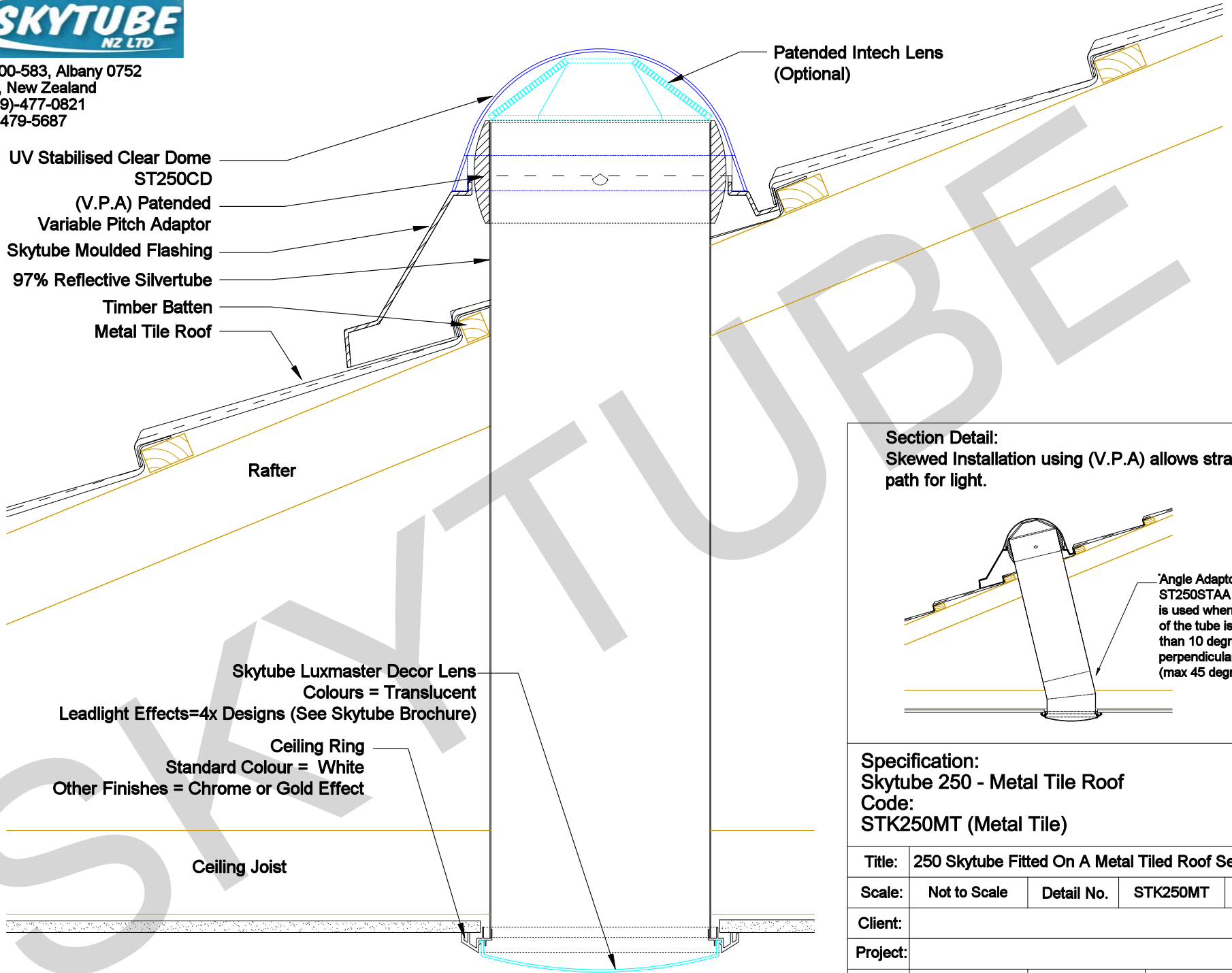
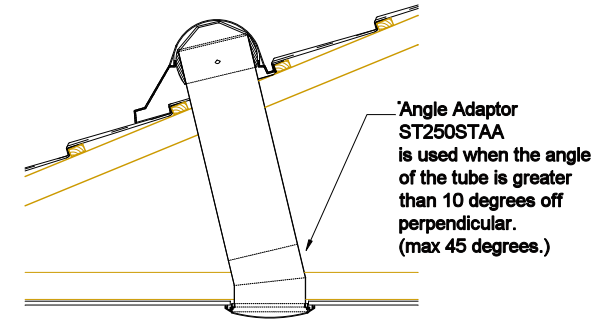


- UV Stabilised Clear Dome ST250CD
- (V.P.A) Patented Variable Pitch Adaptor
- Skytube Moulded Flashing
- 97% Reflective Silvertube
- Timber Batten
- Metal Tile Roof



**Section Detail:**  
 Skewed Installation using (V.P.A) allows straight path for light.



**Specification:**  
 Skytube 250 - Metal Tile Roof  
 Code:  
 STK250MT (Metal Tile)

<b>Title:</b>	250 Skytube Fitted On A Metal Tiled Roof Section			
<b>Scale:</b>	Not to Scale	<b>Detail No.</b>	STK250MT	<b>Rev.</b>
<b>Client:</b>				
<b>Project:</b>				
<b>Date:</b>	20.04.08	<b>Drawn by:</b>	T.J.Kinzett	