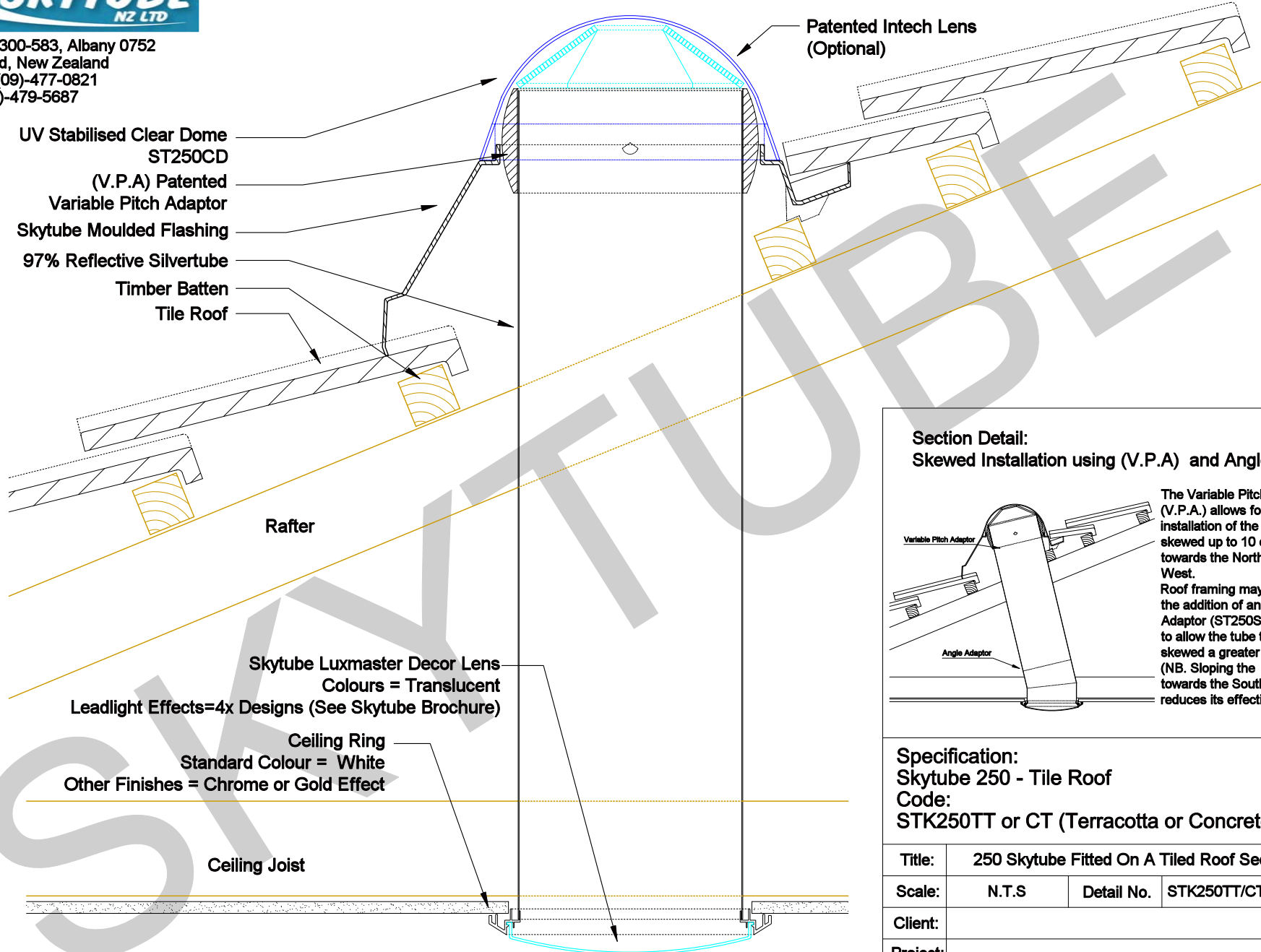


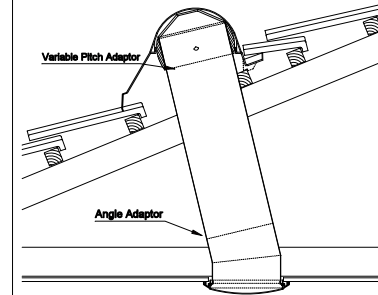


PO Box 300-583, Albany 0752
 Auckland, New Zealand
 Phone: (09)-477-0821
 Fax: (09)-479-5687

UV Stabilised Clear Dome
 ST250CD
 (V.P.A) Patented
 Variable Pitch Adaptor
 Skytube Moulded Flashing
 97% Reflective Silvertube
 Timber Batten
 Tile Roof



**Section Detail:
 Skewed Installation using (V.P.A) and Angle Adaptor**



The Variable Pitch Adaptor (V.P.A) allows for the installation of the tube to be skewed up to 10 degrees towards the North, East or West.
 Roof framing may require the addition of an Angle Adaptor (ST250STAA) to allow the tube to be skewed a greater angle. (NB. Sloping the tube towards the South greatly reduces its effectiveness.)

**Specification:
 Skytube 250 - Tile Roof
 Code:
 STK250TT or CT (Terracotta or Concrete Tile)**

Title:	250 Skytube Fitted On A Tiled Roof Section			
Scale:	N.T.S	Detail No.	STK250TT/CT	Rev.
Client:				
Project:				
Date:	20.03.08	Drawn by:	T.J.Kinzett	