



Skytube Duo/Trio

Supplementary Fixing Instructions

These installation instructions are to supplement the installation instructions for Skytube 250 where the Skytube 250 is to be used in conjunction with the Skytube ventilation system.

Two Skytube flashings are fitted to the roof as per separate instructions. The flashing for the light tube is to be fitted immediately over where the tube is to penetrate the ceiling and the other, for the vent, may be next to the light tube flashing or up to 2M away from it.

Inside

Use the template provided to mark and cut out the opening in the ceiling. (Figure 2)

Outside

Back on the roof, fit the rubber seal to the flashing with the cut-outs corresponding to the appropriate locating points in the flashing. With the VPA attached to the Silvertube slide the tube through the flashing and down through the hole in the ceiling. Fit the lugs on the VPA into the appropriate locating points in the roof flashing. Remove the protective cover from the inside of the tube. Fit the clear dome.

Inside

Note: This is a critical step. Please read carefully

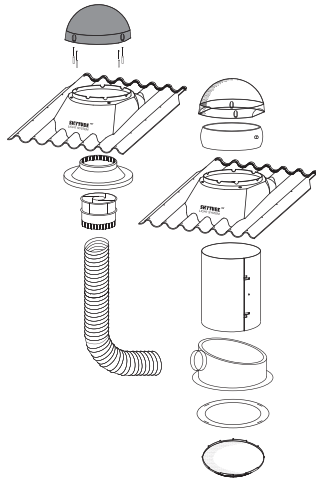
Remove the centre from the cardboard template and push the four tags outward to provide the correct standoff distance down from the ceiling to cut the Silvertube to length. Place the template over the tube (check the standoffs are in place) and carefully mark the tube with a fine point felt tip pen. Remove the template and cut the tube to length. (Figure 3 & 4). Fit the short and long dust seals where indicated on (Figure 5) and attach the flexible ducting to the collar on the Ceiling Vent Receiver (CVR) with the cable tie provided. Pass the flexible duct into the cavity and fit the Ceiling Vent Receiver in the ceiling, tighten the four fastening screws and insert four plug buttons over the screws. Fit the diffuser to the ceiling ring and fit to the CVR and turn anticlockwise until the four bayonet fittings meet. Press gently on the four points to ensure correct engagement and tighten.

Outside

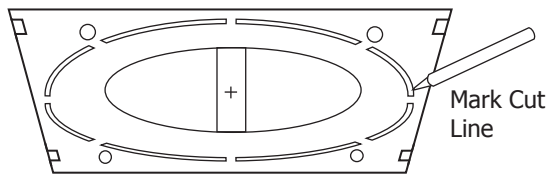
Fit the rubber seal onto the ventilation flashing, pass the fan through the flashing and fix the attached flange to the flashing. Fit the black dome with the s/s screws and black plastic spacers so there is a gap all round of about 30mm. (Figure 6).

In the roof cavity.

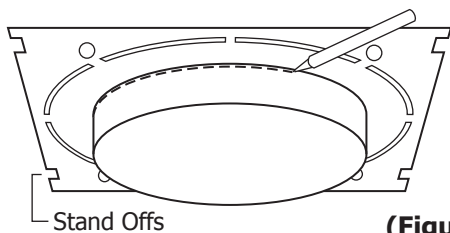
Attach the vent duct to the flange connected to the fan with the cable tie provided. Keep it as tight as possible. Cut off any excess. Have a registered electrician connect the fan to power.



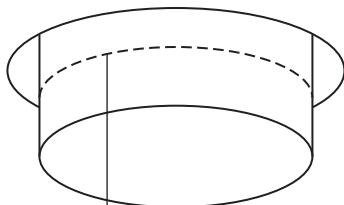
(Figure 1)



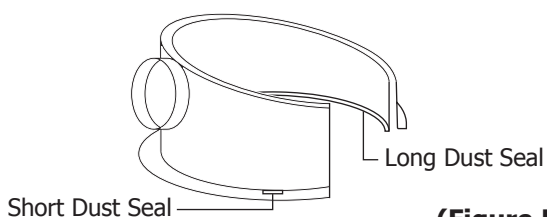
(Figure 2)



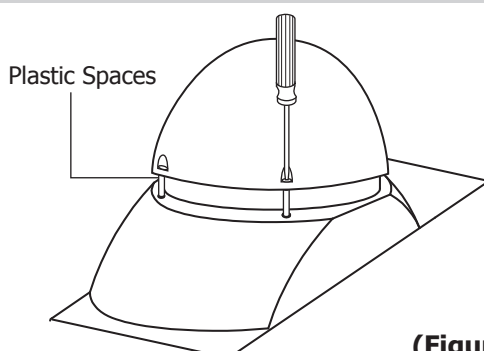
(Figure 3)



(Figure 4)



(Figure 5)



(Figure 6)