



# SF400SS

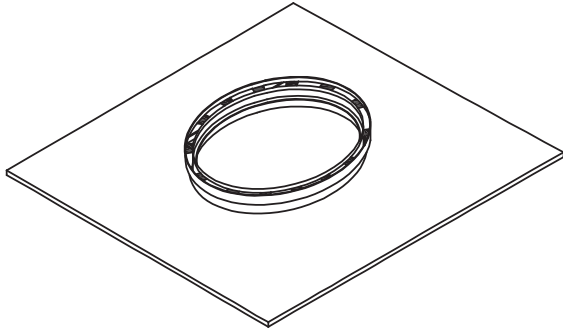
## Skyflex

### Installation Instructions

#### 400mm DIA. SKYFLEX SLATE & SHINGLE

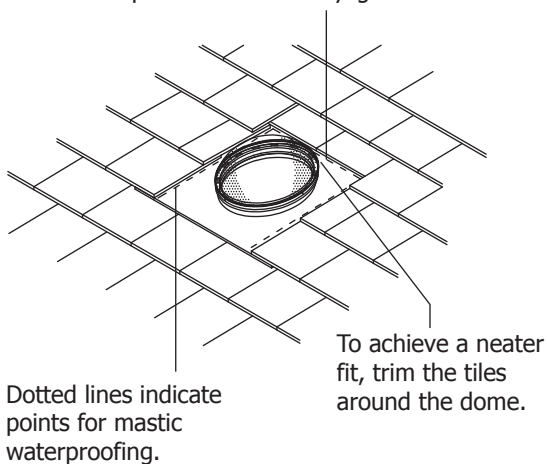
##### TIPS FOR A SUCCESSFUL INSTALLATION

1. Required minimum roof pitch is 30 Degrees.
2. DO NOT depend on silicone for waterproofing.



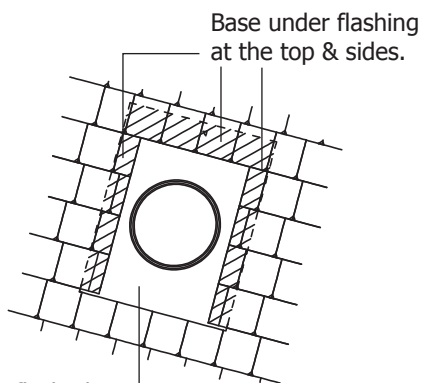
(Figure 1)

Slate cut back 80-100mm around the back perimeter of the skylight.



Dotted lines indicate points for mastic waterproofing.

(Figure 2)



Base under flashing at the top & sides.

Base over flashed at bottom only.

(Figure 3)

#### Part A: Installation to roof

##### Step 1.

Determine the position in the room and check for obstacles in the ceiling, such as major beams, pipes or electrical wiring and on the roof for ridges, or services. The base flashing is designed to underflash at the top and sides and overflash at the bottom. As shown on (Figure 2 & 3)

##### Step 2.

Remove the acrylic dome and then put the base onto the roof. Mark out the penetration, allowing 10 to 20mm of clearance all round. Cut out carefully.

##### Step 3

Cut and trim the rafter as required and cut off any battens which fall within the Skyflex opening.

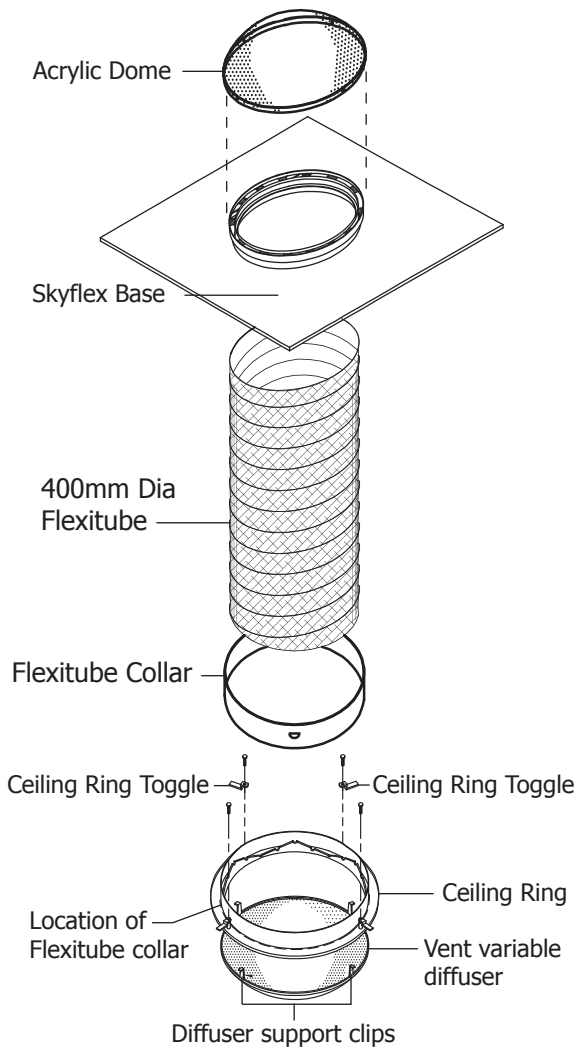
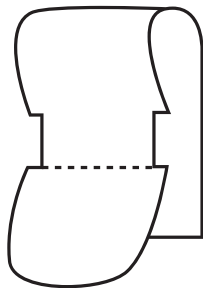
##### Step 4

Carefully slip the top of the base under the slate or shingle at the top and sides and push into position.

##### Step 5.

Screw the base to the roof using 12g x 50mm long self drilling screws taking care to place them.

These steps allow the water to flow freely around the tray and promote a self cleaning action preventing a build up of leaves and debris.

**(Figure 4)****(Figure 5)****Part B: Fitting The Skyflex Tube****Step 1.**

Use the template provided to mark and cut out the hole for the ceiling ring. Remove the diffuser from the ceiling ring, by rotating the diffuser to its lowest position. Gently push in the diffuser support clips to release it from the ring. Refer to (Figure 4).

**Step 2.**

Form the flexitube collar so it fits snugly on the inside of the flange on the ceiling ring. Tape one end of the Flexitube to the collar with the silver tape provided and pass the tube with the collar attached through the hole in the ceiling into the cavity.

**Step 3.**

Fit the ceiling ring flush into the ceiling using the ceiling ring toggles.

**Step 4.**

Fix the Flexitube collar to the ceiling ring with 4 pop rivets and pass the excess tube through the flashing in the roof.

**Step 5.**

Go back on to the roof and gently pull the Flexitube through until it is tight. Cut off excess tube and fix to the flashing using the clips provided. See (Figure 5).

**Step 6.**

Fix the acrylic dome to the flashing. Remove all rubbish from the roof.

**Step 7.**

Refit the diffuser into the ceiling ring being careful not to apply excessive pressure.

Skytube NZ Ltd  
PO Box 300-583  
Albany  
Auckland 0752  
Ph (09) 477 0821  
Fax (09) 479 5687

E-mail [action@skytube.net.nz](mailto:action@skytube.net.nz)  
[www.skytube.net.nz](http://www.skytube.net.nz)