



SF400MT

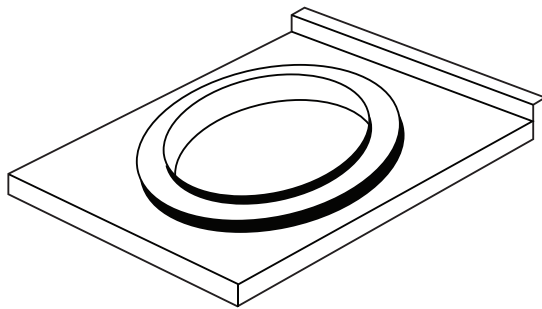
Skyflex

Installation Instructions

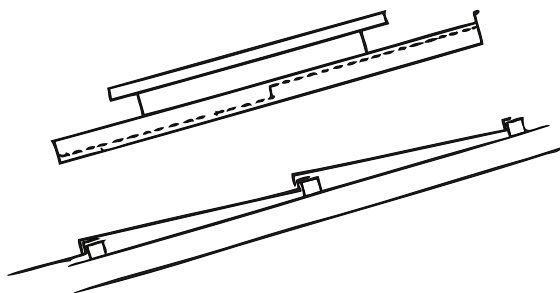
250mm DIA. SKYFLEX METAL TILE

TIPS FOR A SUCCESSFUL INSTALLATION

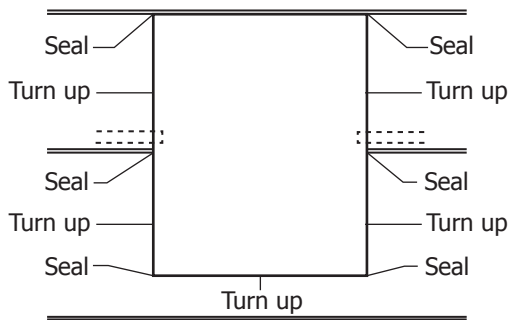
1. Required minimum roof pitch is 17 Degrees.
2. The instructions must be followed closely to avoid problems



(Figure 1)



(Figure 2)



(Figure 3)

Part A: Installation to roof

Step 1.

Determine the position in the room and check for obstacles in the ceiling, such as major beams, pipes or electrical wiring and on the roof for ridges, valleys or hips.

Step 2.

Place the flashing on the roof and mark out on the flashing where the sides must be cut to match the profile of the roofing material. As shown on (Figure 2).

Step 3.

With the flashing on the roof mark out where the roof must be cut to accommodate the tube.

Step 4.

Having chosen the position of the flashing lift the row of tiles above out of the way.

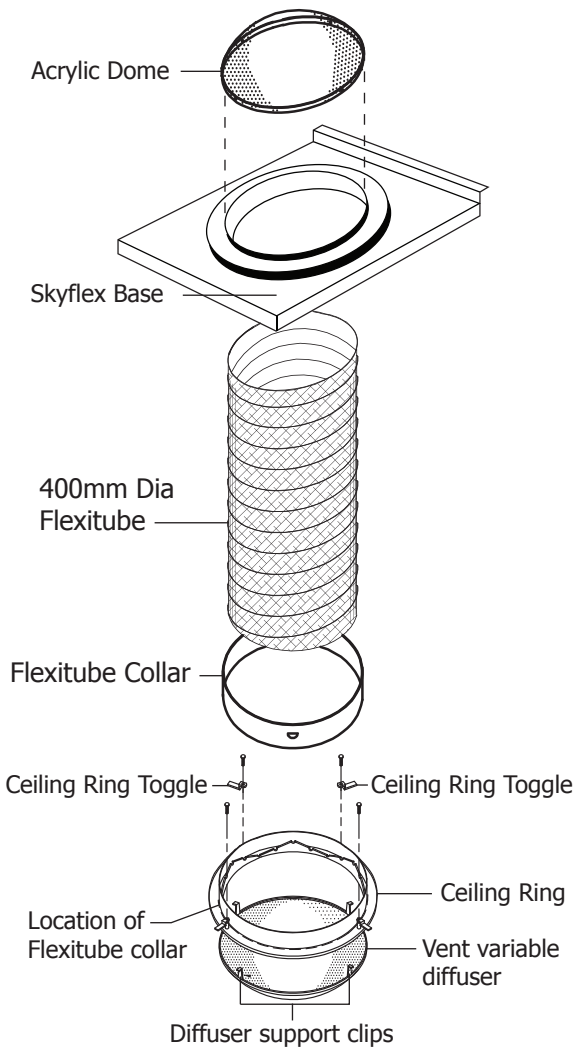
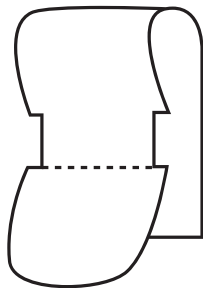
Step 5.

Cut out the opening and remove any batten that may be in the way. If necessary support the ends of the battens with trimmers.

It is very important that the edges of the opening be turned up and all corners well sealed. As shown on (Figure 3).

Step 6.

Place the flashing over the opening and hard up to the top batten. Lower the tile above down over the upper lip of the flashing and secure into position. Use the 50mm hex head screws with neoprene washers to secure the flashing to the lower batten.

**(Figure 4)****(Figure 5)****Part B: Fitting The Skyflex Tube****Step 1.**

Use the template provided to mark and cut out the hole for the ceiling ring. Remove the diffuser from the ceiling ring, by rotating the diffuser to its lowest position. Gently push in the diffuser support clips to release it from the ring. Refer to (Figure 4).

Step 2.

Form the flexitube collar so it fits snugly on the inside of the flange on the ceiling ring. Tape one end of the Flexitube to the collar with the silver tape provided and pass the tube with the collar attached through the hole in the ceiling into the cavity.

Step 3.

Fit the ceiling ring flush into the ceiling using the ceiling ring toggles.

Step 4.

Fix the Flexitube collar to the ceiling ring with 4 pop rivets and pass the excess tube through the flashing in the roof.

Step 5.

Go back on to the roof and gently pull the Flexitube through until it is tight. Cut off excess tube and fix to the flashing using the clips provided. See (Figure 5).

Step 6.

Fix the acrylic dome to the flashing. Remove all rubbish from the roof.

Step 7.

Refit the diffuser into the ceiling ring being careful not to apply excessive pressure.

Skytube NZ Ltd
PO Box 300-583
Albany
Auckland 0752
Ph (09) 477 0821
Fax (09) 479 5687

E-mail action@skytube.net.nz
www.skytube.net.nz