



# SF400MD

## Skyflex

### Installation Instructions

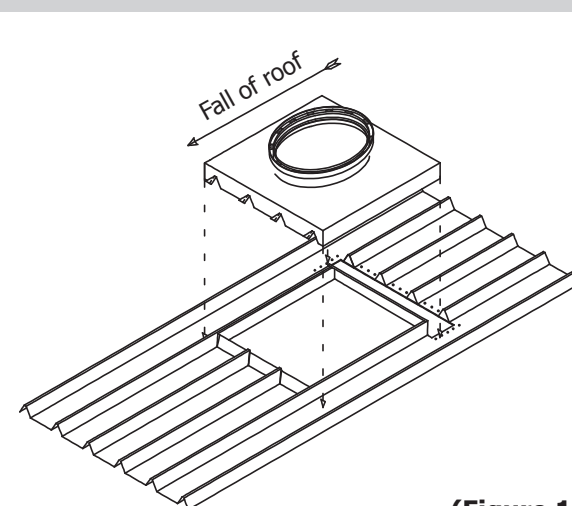
#### 400mm DIA. SKYFLEX METAL DECK

##### TIPS FOR A SUCCESSFUL INSTALLATION

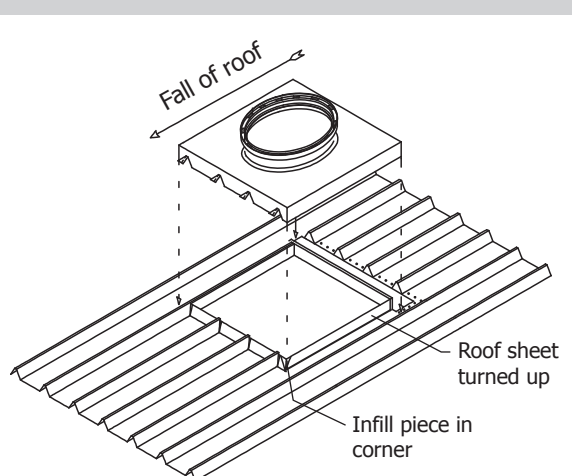
1. Required minimum roof pitch is 2 Degrees.
2. This model will suit most common metal deck profiles.
3. Work to the ribs to prevent drainage problems.
4. If you have a span deck profile, dry pan flash only.
5. "Roof and Gutter" silicone recommended for sealing.

##### Note

Before starting, study the simplified assembly drawing (Figure 1). This will help you to understand what you are trying to achieve. Use this method if you can work to the ribs as drawn in (Figure 1). If you cannot work to the ribs, see drawing (Figure 2).



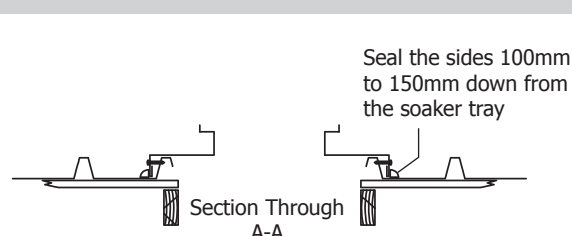
(Figure 1)



(Figure 2)

##### Note (Figure 2)

Detail showing what to do if the Skyflex does not work to the ribs. One side must work to the rib to allow the free flow of water.



(Figure 3)

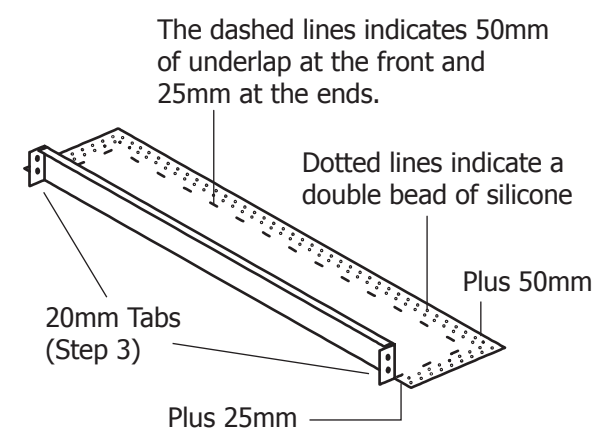
#### Part A: Fitting To Roof Instructions

##### Step 1

Determine the position in the room and check for obstacles in the ceiling, such as pipes or electrical wiring and on the roof for ridges or services. Work to the roof ribs to prevent drainage problems. As shown in (Figure 3)

Skytube NZ Ltd  
 PO Box 300-583  
 Albany  
 Auckland 0752  
 Ph (09) 477 0821  
 Fax (09) 479 5687

E-mail [action@skytube.net.nz](mailto:action@skytube.net.nz)  
[www.skytube.net.nz](http://www.skytube.net.nz)



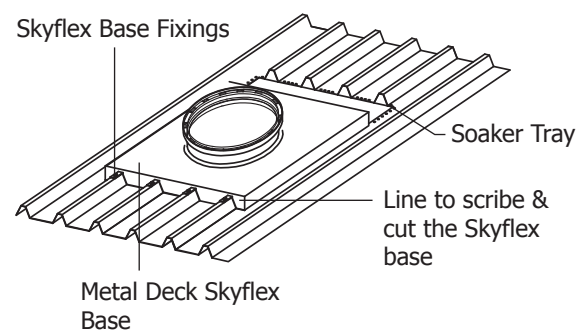
(Figure 4)

Step 2

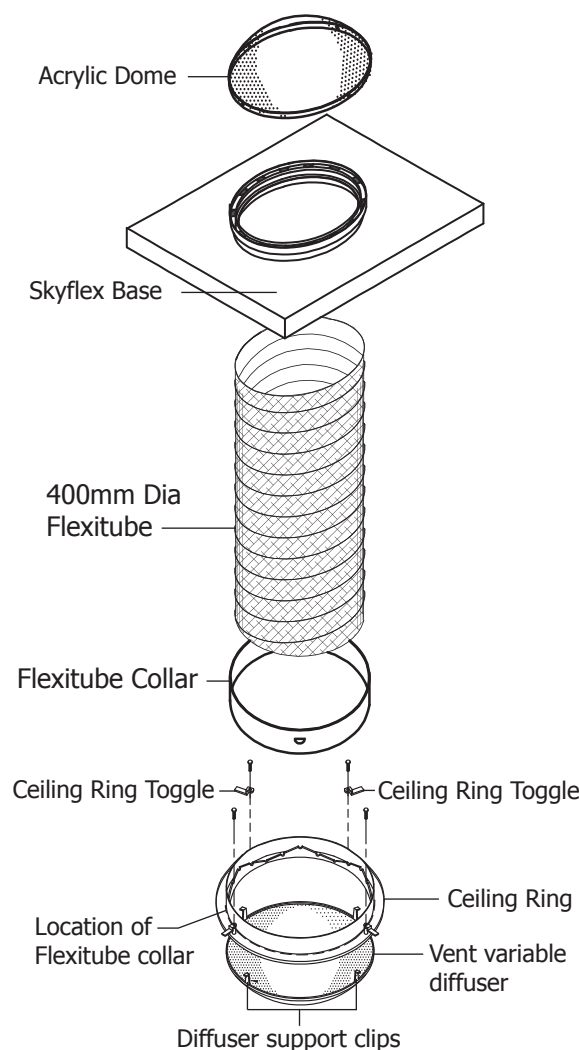
Apply a double bead of silicone to your soaker tray. See (Figure 4) and carefully slip it into position and rivet or screw fix at maximum centres of 50mm. Block off the roof ribs with cut outs from the left over soaker tray, and silicone seal.

Step 3

Fix your base flashing to the roof as shown on (Figure 3) and the finished job should look like (Figure 5).



(Figure 5)



(Figure 6)

Part B: Fitting The Skyflex Tube

Step 1.

Use the template provided to mark and cut out the hole for the ceiling ring. Remove the diffuser from the ceiling ring, by rotating the diffuser to its lowest position. Gently push in the diffuser support clips to release it from the ring. Refer to (Figure 6).

Step 2.

Form the flexitube collar so it fits snugly on the inside of the flange on the ceiling ring. Tape one end of the Flexitube to the collar with the silver tape provided and pass the tube with the collar attached through the hole in the ceiling into the cavity.

Step 3.

Fit the ceiling ring flush into the ceiling using the ceiling ring toggles.

Step 4.

Fix the Flexitube collar to the ceiling ring with 4 pop rivets and pass the excess tube through the flashing in the roof.

Step 5.

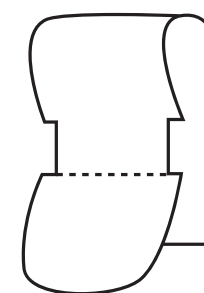
Go back on to the roof and gently pull the Flexitube through until it is tight. Cut off excess tube and fix to the flashing using the clips provided. See (Figure 7).

Step 6.

Fix the acrylic dome to the flashing. Remove all rubbish from the roof.

Step 7.

Refit the diffuser into the ceiling ring being careful not to apply excessive pressure.



(Figure 7)