



SF400CT

Skyflex

Installation Instructions

400mm DIA. SKYFLEX CONCRETE TILE

TIPS FOR A SUCCESSFUL INSTALLATION

1. Required minimum roof pitch is 17 Degrees.
2. The instructions must be followed closely to avoid problems.
3. The base will suit most tile profiles.

Part A: Installation to roof

Step 1.

Determine the position in the room and check for obstacles in the ceiling, such as major beams, pipes or electrical wiring and on the roof for ridges, valleys or hips.

Step 2.

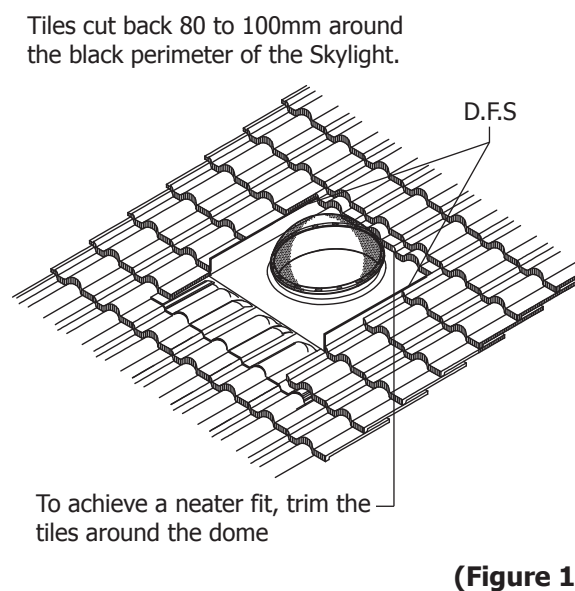
Where the base goes on the roof remove the required number of tiles and place the base onto the battens. The tile profile will determine the position of the base, align the front apron with the row of tiles. See (Figure 1). By following these instructions, your tile base will sit flat on the battens and reduce the amount of kick-up on the side tiles.

Step 3

Cut and trim the rafter as required and cut off any battens which fall within the Skyflex opening.

Step 4

Once correctly aligned with the row of tiles, fix the base onto the roof using the four metal straps attached to the base. This can be achieved by nailing or screwing the strap to the rafters. Check the outside channel folds (blow back seals) are not flattened or squashed.



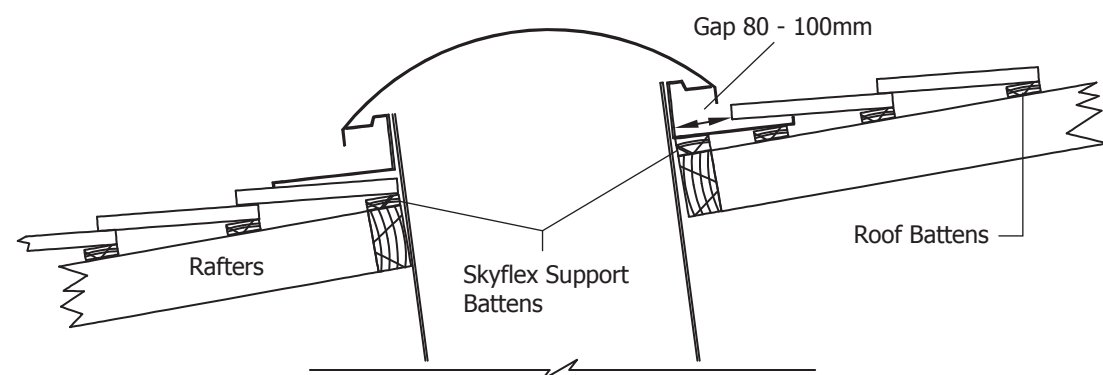
Skytube NZ Ltd
PO Box 300-583
Albany
Auckland 0752
Ph (09) 477 0821
Fax (09) 479 5687

E-mail action@skytube.net.nz
www.skytube.net.nz



Step 5

Replace the tiles, cutting where necessary to ensure a neat fit. The tiles must have minimal clearance with the Direct Flow System (DFS) and be 80mm to 100mm away from the top end. These steps allow the water to flow freely around the tray and promote a self cleaning action preventing a build up of leaves and debris.



(Figure 2)



Part B: Fitting The Skyflex Tube

Step 1.

Use the template provided to mark and cut out the hole for the ceiling ring. Remove the diffuser from the ceiling ring, by rotating the diffuser to its lowest position. Gently push in the diffuser support clips to release it from the ring. Refer to (Figure 3).

Step 2.

Form the flexitube collar so it fits snugly on the inside of the flange on the ceiling ring. Tape one end of the Flexitube to the collar with the silver tape provided and pass the tube with the collar attached through the hole in the ceiling into the cavity.

Step 3.

Fit the ceiling ring flush into the ceiling using the ceiling ring toggles.

Step 4.

Fix the Flexitube collar to the ceiling ring with 4 pop rivets and pass the excess tube through the flashing in the roof.

Step 5.

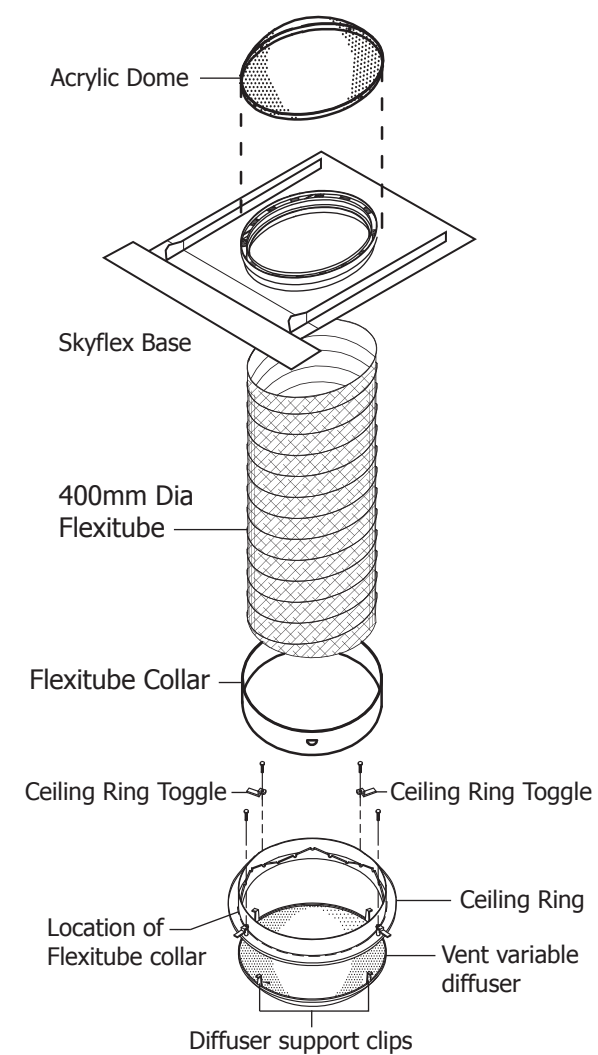
Go back on to the roof and gently pull the Flexitube through until it is tight. Cut off excess tube and fix to the flashing using the clips provided. See (Figure 4).

Step 6.

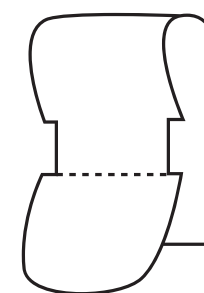
Fix the acrylic dome to the flashing. Remove all rubbish from the roof.

Step 7.

Refit the diffuser into the ceiling ring being careful not to apply excessive pressure.



(Figure 3)



(Figure 4)