



# SF400CI

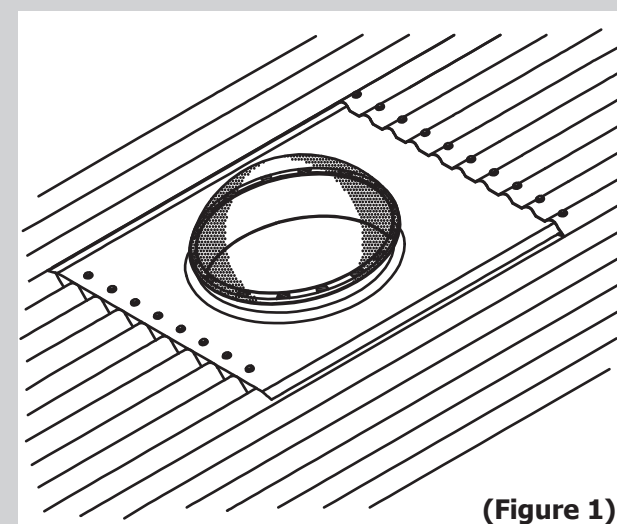
## Skyflex

### Installation Instructions

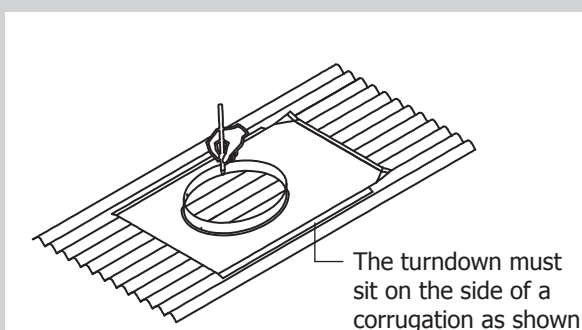
#### 400mm DIA. SKYFLEX CORRUGATED IRON

##### TIPS FOR A SUCCESSFUL INSTALLATION

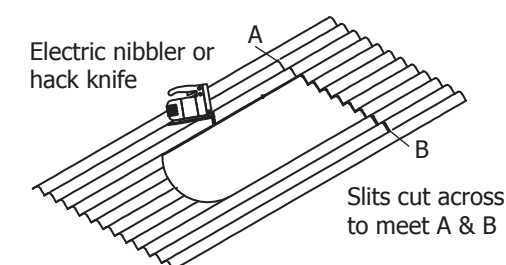
1. Required minimum roof pitch is 10 Degrees.
2. Roof and gutter silicone recommended for sealing.
3. Work to the corrugations.



(Figure 1)



(Figure 2)



(Figure 3)

#### Part A: Installation to roof

##### Step 1.

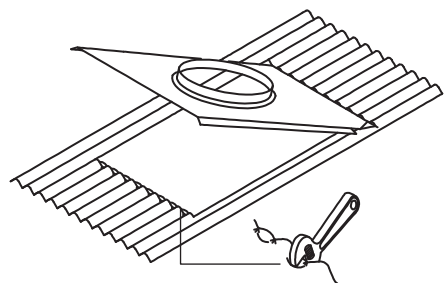
Determine the position in the room and check for obstacles in the ceiling, such as major beams, pipes or electrical wiring and on the roof for ridges, valleys or hips.

##### Step 2.

Use the base flashing (with the dome removed) to layout your position on the roof. Follow the instructions on (Figure 2) and (Figure 3) to mark your penetration and cut out carefully.

Skytube NZ Ltd  
PO Box 300-583  
Albany  
Auckland 0752  
Ph (09) 477 0821  
Fax (09) 479 5687

E-mail [action@skytube.net.nz](mailto:action@skytube.net.nz)  
[www.skytube.net.nz](http://www.skytube.net.nz)



(Figure 4)

Step 3.

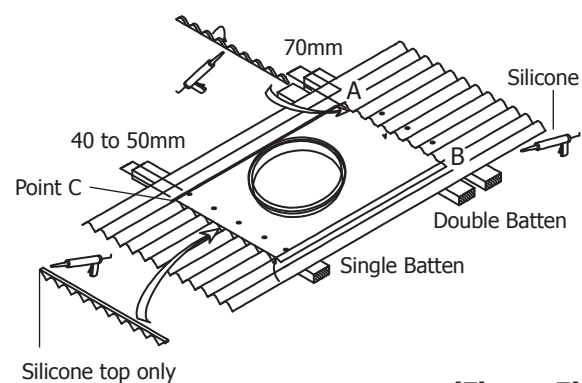
Stop end the corrugation on the lower end as shown on (Figure 4).

Step 4.

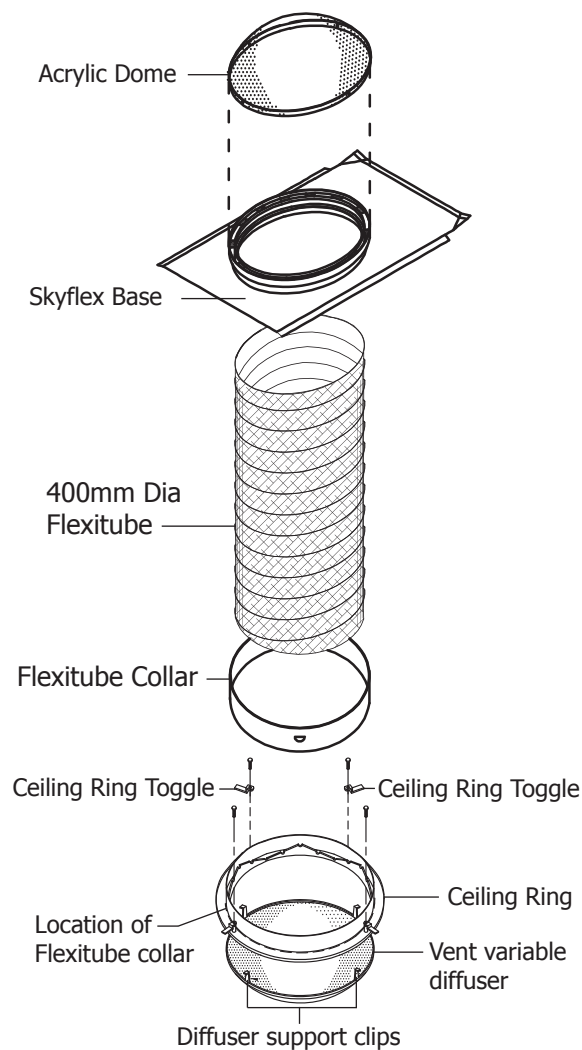
Lay the Skyflex base over the hole in the roof to make sure that all is correct. Cut and trim the rafters as required and cut off any battens which fall within the Skyflex opening. Fit a single batten on the lower end and a double batten on the upper end. Refer to (Figure 5)

Step 5.

Tilt the Skyflex base up at an angle and push into place, where the wing ends meet the cut line A & B. Refer to (Figure 4). Apply a thin bead of silicone to the weather strips and slip into position between the flashing and the corrugated iron at the top and bottom of the flashing. (The silicone prevents them from slipping out). **Do not allow the weather strip to extend past point C on the lower end, as shown (Figure 5).** Fix your Skyflex to the roof using type the 12g x 50mm long self drilling screws provided. Take care to place them as shown on (Figure 5). Silicone seal the cut line at the point A & B, as shown on (Figure 5).



(Figure 5)



(Figure 6)

### Part B: Fitting The Skyflex Tube

Step 1.

Use the template provided to mark and cut out the hole for the ceiling ring. Remove the diffuser from the ceiling ring, by rotating the diffuser to its lowest position. Gently push in the diffuser support clips to release it from the ring. Refer to (Figure 6).

Step 2.

Form the flexitube collar so it fits snugly on the inside of the flange on the ceiling ring. Tape one end of the Flexitube to the collar with the silver tape provided and pass the tube with the collar attached through the hole in the ceiling into the cavity.

Step 3.

Fit the ceiling ring flush into the ceiling using the ceiling ring toggles.

Step 4.

Fix the Flexitube collar to the ceiling ring with 4 pop rivets and pass the excess tube through the flashing in the roof.

Step 5.

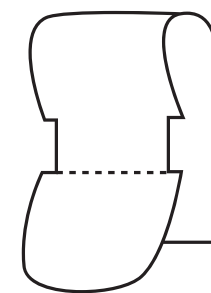
Go back on to the roof and gently pull the Flexitube through until it is tight. Cut off excess tube and fix to the flashing using the clips provided. See (Figure 7).

Step 6.

Fix the acrylic dome to the flashing. Remove all rubbish from the roof.

Step 7.

Refit the diffuser into the ceiling ring being careful not to apply excessive pressure.



(Figure 7)